

SECO SV 1063-1100 B/C

Dry-running rotary vane vacuum pumps



VACUUM SOLUTIONS



Compact

Direct-drive construction

Reliable

Robust construction, proven performance, self-lubricating vanes, no operating fluids

High performance

High uptime, high performance vanes

Accessories

- Inlet filter
- Vacuum regulation valve
- Vacuum relief valve for SV 1063/1080 B
- Non-return valve (inlet)
- Hose nipple

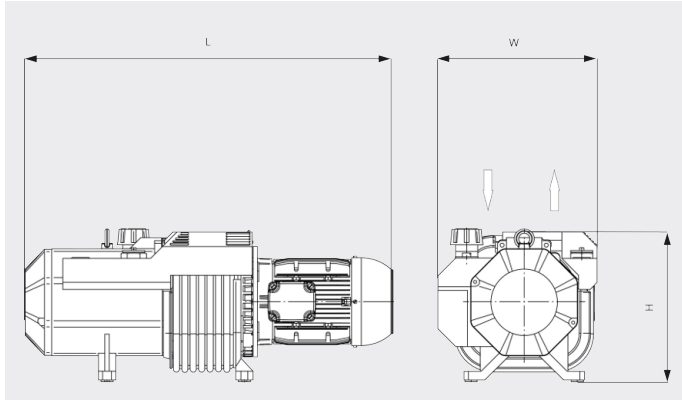
SECO SV 1063-1100 B/C

Dry-running rotary vane vacuum pumps



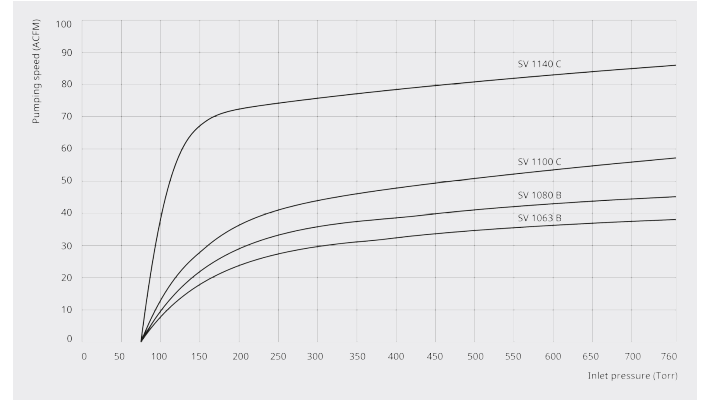
VACUUM SOLUTIONS

Dimensional drawing



Pumping speed

Air at 70°F. Tolerance: ± 10%



	SECO SV 1063 B	SECO SV 1080 B	SECO SV 1100 C	SECO SV 1140 C
Nominal pumping speed	38 ACFM	45 ACFM	57 ACFM	86 ACFM
Ultimate pressure	75 TORR	75 TORR	75 TORR	75 TORR
Nominal motor rating	3 HP	4.0 HP	5.4 HP	7.4 HP
Nominal motor speed	1800 RPM	1800 RPM	1800 RPM	1800 RPM
Noise level (ISO 2151)	76 dB(A)	77 dB(A)	78 dB(A)	79 dB(A)
Weight approx.	181 Lbs.	198 Lbs.	265 Lbs.	298 Lbs.
Dimensions (L x W x H)	30.1 x 16.9 x 13.4 inches	31.4 x 16.9 x 13.4 inches	33.4 x 14.8 x 13.6 inches	38.4 x 17.3 x 14.6 inches
Gas inlet / outlet	G 1 ¼" / G 1 ¼"	G 1 ¼" / G 1 ¼"	G 1 ¼" / G 1 ¼"	G 1 ½" / G 1 ½"

DO YOU WANT TO KNOW MORE?

Get in touch with us directly!
info@buschusa.com or +1 757 463 7800



CONTACT FORM



CALL NOW